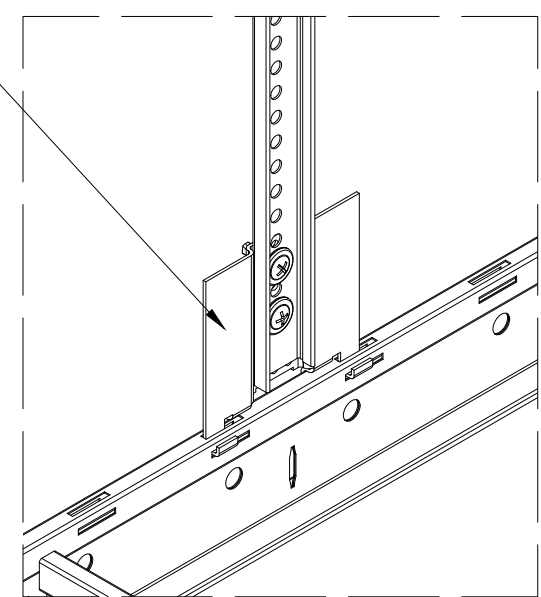


INFINI-T			
ITEM	DESCRIPTION	PART NUMBER	COLOUR
1	EMAC HANGER	10185-92	MILL
2	EMAC SUSPENSION BRACKET	10630	MILL
3	MAIN TEE	30221	INT WHITE
4	1200 CROSS TEE	508292	INT WHITE
5	600 NOGGIN	508293	INT WHITE
6	PERIMETER TRIM	VARIABLES	VARIABLES
7	TCP 180 SPLICE	10534	MILL
8	TCP 90 SPLICE	10536	MILL
9	SQUARE EDGE 130 LAY IN TILE	VARIABLES	VARIABLES
10	BORDER WEDGE	10178	MILL

NOTES
 REFER TO WN 0851 FOR LIGHT DUTY CLIP DETAILS
 REFER TO WN 0850 FOR HEAVY DUTY CLIP DETAILS



SAS International
 EMAC House
 Unit 28, Suttons Business Park
 Earley, Reading
 Berkshire RG6 1AZ
 United Kingdom
 Tel: +44 (0)118 929 0900
 Fax: +44 (0)118 929 0901
 www.sasint.co.uk

SAS International claims proprietary rights in the information disclosed hereon. This drawing is furnished in confidence on the express understanding that neither it nor any reproduction thereof will be disclosed to others or used for the purpose of manufacture or procurement of the article or part shown hereon without the express consent in writing of SAS International. It should be understood that any article or part either made in accordance with the attached drawing or copied from an article or part made in accordance with said drawing, without the express permission in writing of SAS International, will be an infringement of the Copyright which subsists in said drawing and therefore actionable at law.

REV	DATE	DESCRIPTION	INITIAL
A	21/07/2023	FIRST ISSUE	LHM

INFINI-T
 TRUGRID - SQUARE EGDE
 ISOMETRIC APPLICATION

SCALE @ A3 AS SHOWN	DATE 21/07/2023	DRAWN BY LHM
DRG / ITEM No. 0865	REV A	

WORKNORM