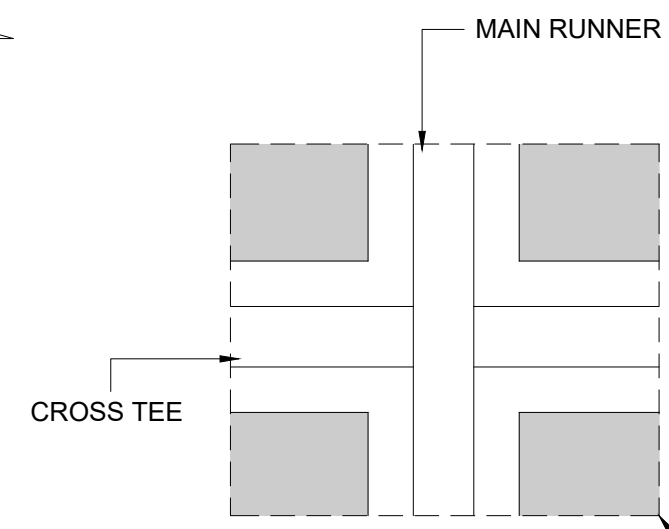


SECTION 'A'
SCALE 1:2

EMAC FIX 'N' FOLD SUSPENSION HANGER SUPPLIED IN VARIOUS LENGTHS TO ACHIEVE CEILING FACE TO SOFFIT.

EMAC HANGER BRACKET @ 1200mm MAXIMUM CENTRES

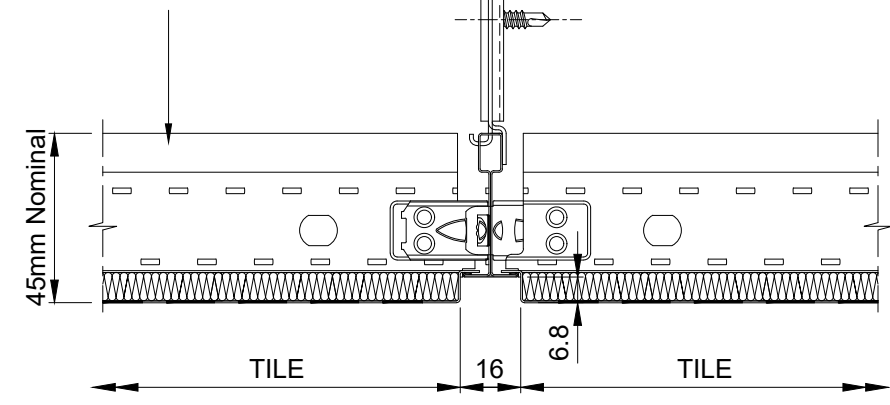


DETAIL 1
(MAIN RUNNER & CROSS TEE JUNCTION)
SCALE 1:2

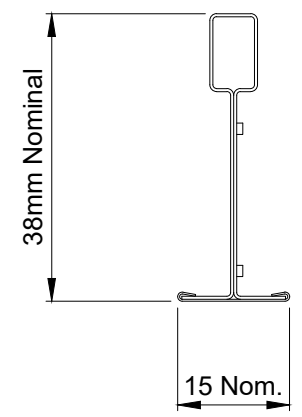
EMAC FIX 'N' FOLD SUSPENSION HANGER SUPPLIED IN VARIOUS LENGTHS TO ACHIEVE CEILING FACE TO SOFFIT.

EMAC HANGER BRACKET @ 1200mm MAXIMUM CENTRES

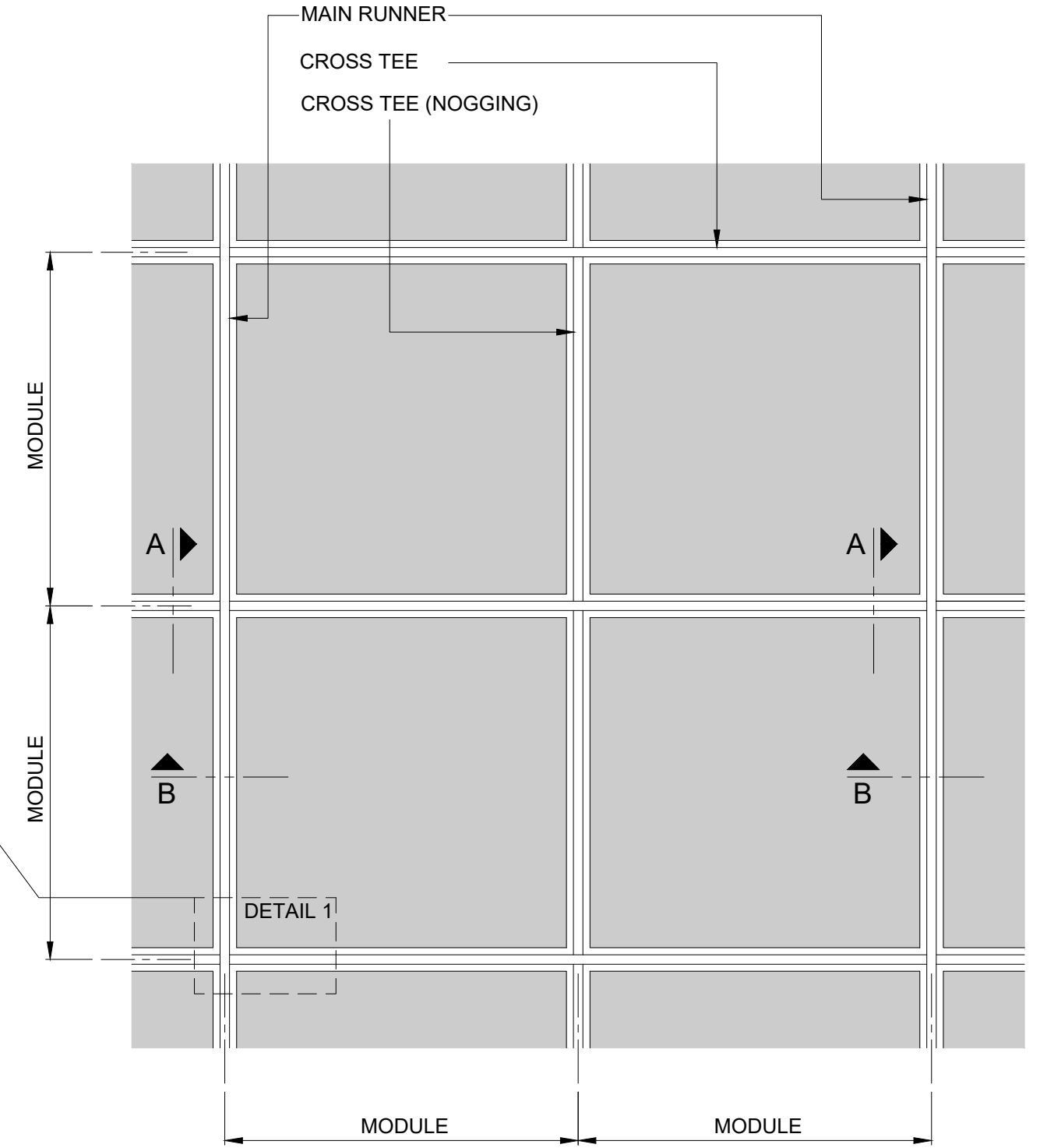
TRUGRID T15 CROSS TEE CLIPPED INTO MAIN RUNNER.



SECTION 'B'
SCALE 1:2



TRUGRID T 15
SCALE Full Size



PART REFLECTED CEILING PLAN
SCALE 1:10

STANDARD CEILING MODULES	
Length	Width
500	500
600	600
750	750
SPECIAL SIZES	
Available on request, please contact our technical department for more information.	

REV	DATE	DESCRIPTION	INITIAL
A	06/08/2013	FIRST ISSUE	---
B	20/04/2017	SUSPENSION CENTRES REVISED TO 1200mm	---