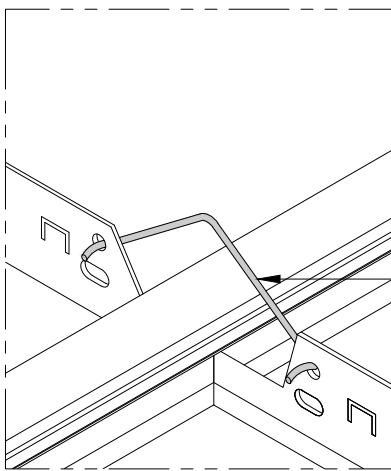
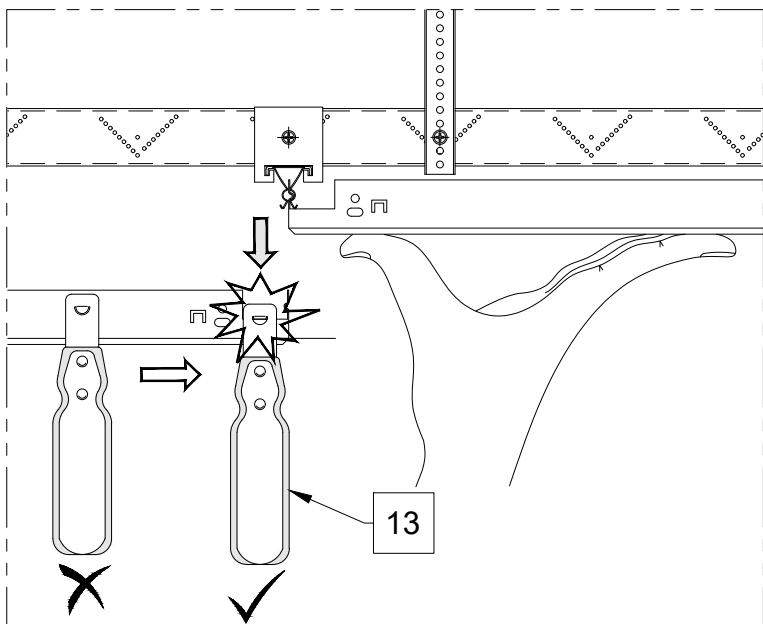
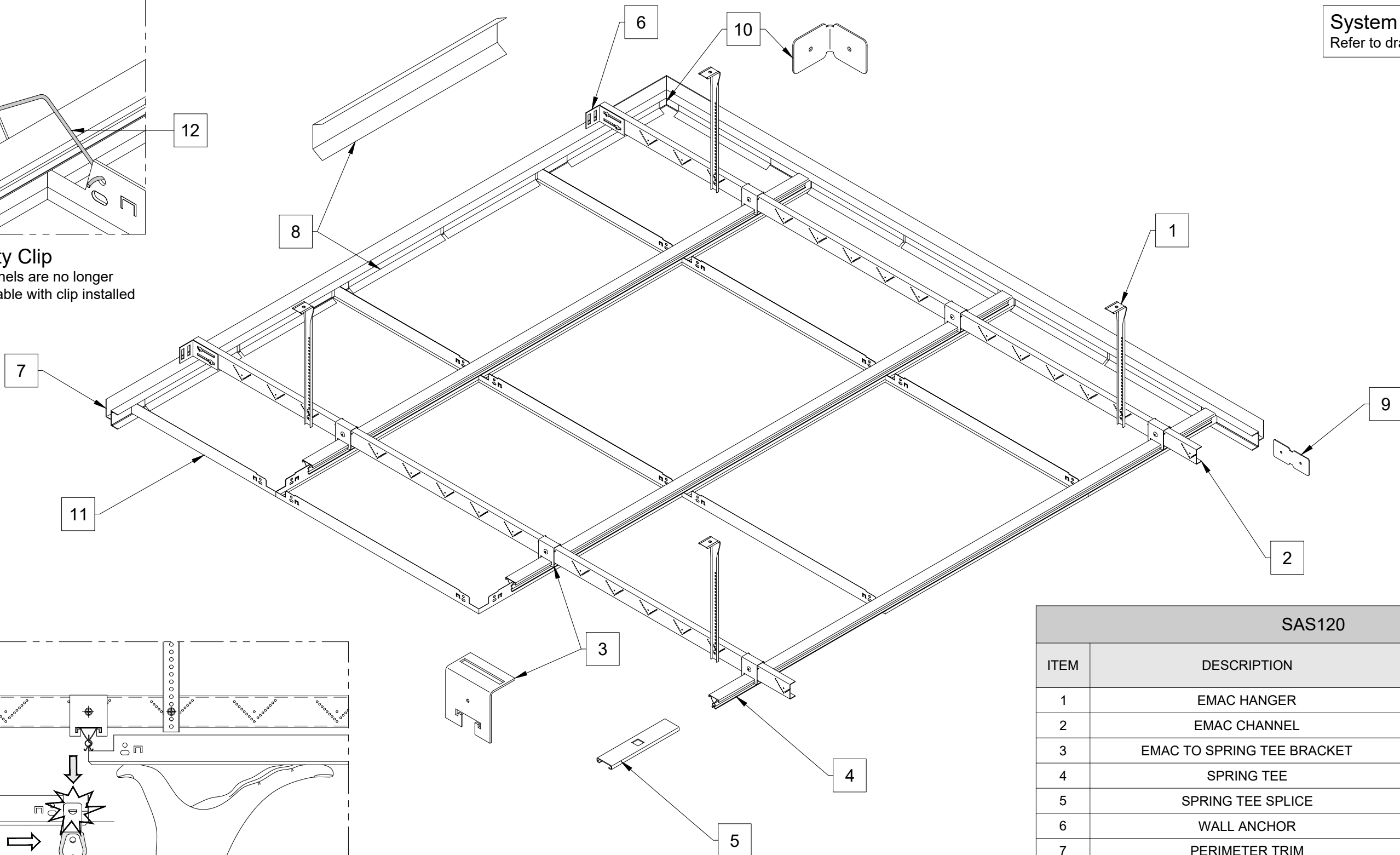


**System Details:**  
Refer to drawing WN 0040



**Security Clip**  
Note: Panels are no longer demountable with clip installed



**ACCESS TOOL**

INSERT INTO CORNERS OF TILES ONLY AND PULL DOWN FOR ACCESS.

SAS120			
ITEM	DESCRIPTION	PART NUMBER	COLOUR
1	EMAC HANGER	10185-92	MILL
2	EMAC CHANNEL	22975	MILL
3	EMAC TO SPRING TEE BRACKET	12522	MILL
4	SPRING TEE	22976	MILL
5	SPRING TEE SPLICE	10408	MILL
6	WALL ANCHOR	12097	MILL
7	PERIMETER TRIM	10546	RAL9010
8	PERIMETER WEDGE	10178	MILL
9	TCP180 SPLICE	10534	MILL
10	TCP90 SPLICE	10536	MILL
11	SAS120 CLIP-IN CEILING TILE	VARIES	VARIES
12	SECURITY CLIP	21572	NATURAL
13	ACCESS TOOL	10196	NATURAL

REV	DATE	DESCRIPTION	INITIAL
A	15/08/2012	FIRST ISSUE	---
B	29/01/2015	NOTES AND LAYOUT	---
C	14/02/2022	UPDATED ISOMETRIC VIEW	TJA